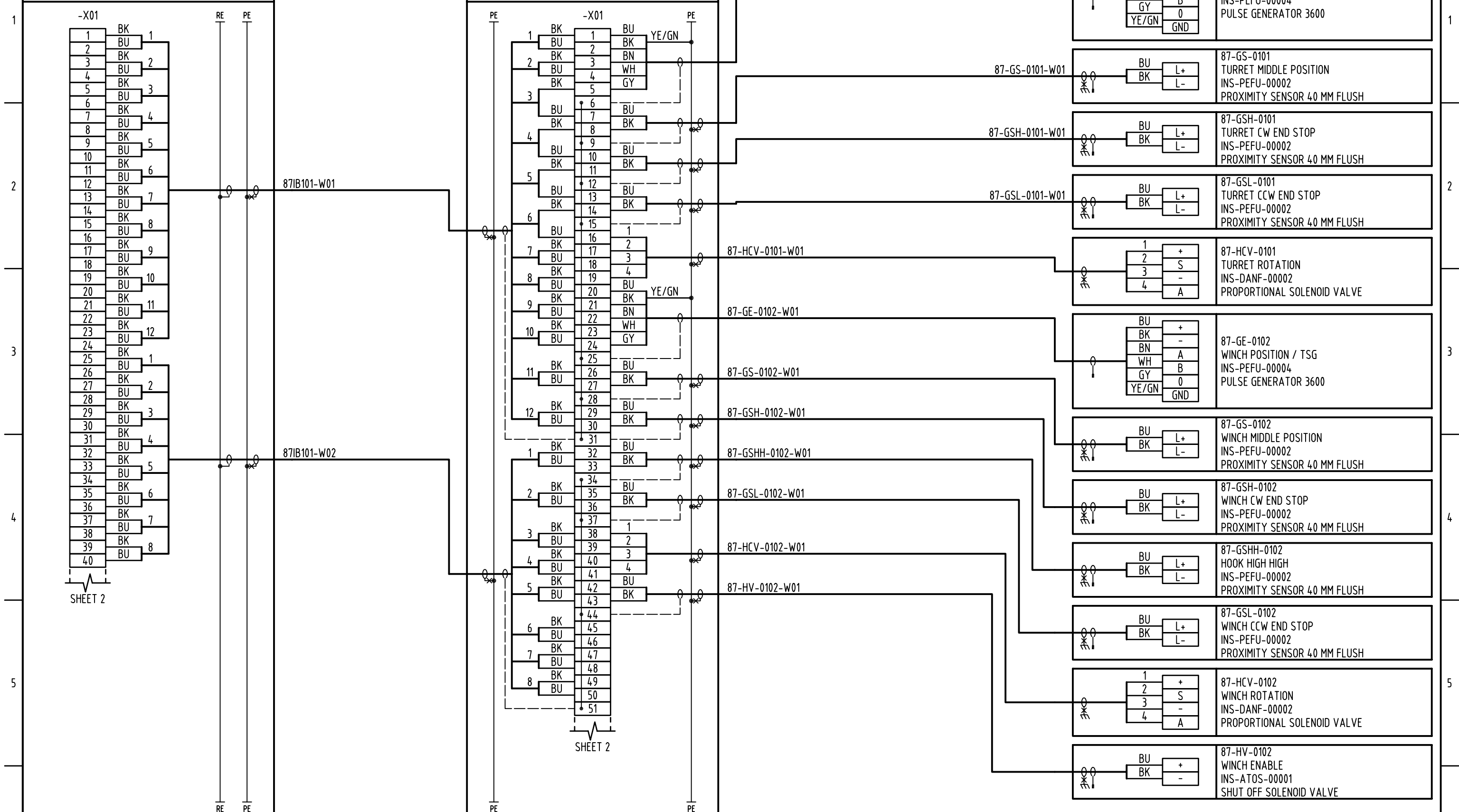


↑ - SHEET 2  
 TAG : 87EC100  
 DESCRIPTION : FORWARD CRANE CONTROL CUBICLE  
 LABEL : IN CRANE CABIN

↑ - SHEET 2  
 TAG : 87IB101  
 DESCRIPTION : CRANE INSTRUMENTATION  
 LABEL : OUTSIDE CRANE CABIN



DATE	29.03.2004	DRAWN	RUNWOL	TRACED	PROJECTION	FORMAT	A3	REVISION		
DESCRIPTION	ONCE CRANES FORWARD CRANE XT								SCALE	NA
DRAWING NAME	3570-EC06A-XT-0001								SHEET	1 OF 5
FILE NAME	3570-EC06A-XT-0001								REPLACES	
